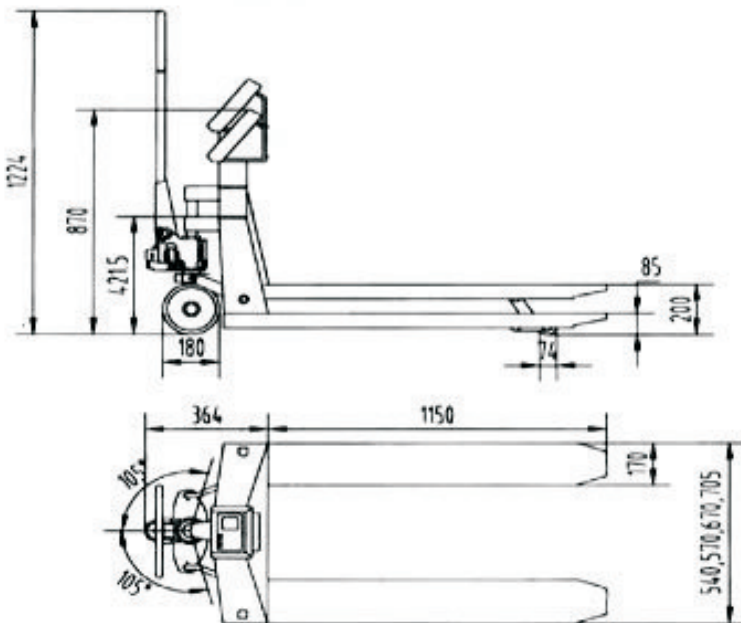


www.phlbargur.com



### Hydraulic Hand Pallet Truck with Scale

- # Pallet truck with scale Mobile pallet truck with scale combined two major functions for pallet truck/scale, allows you to weigh cargo what you want, where you want and when you want.
- # Reduces number of operators and saves time for maximum efficiency.
- # Keypad and automatic tare functions.
- # Large LCD display shows all measurement results in clearly readable numbers, even in dim lighting.
- # The display can be read from different angles around the scale.
- # Either internal or external power supply can be used.
- # Available in pounds or kilograms.



<b>Model</b>	<b>: PT-BFC</b>
<b>Capacity (kg)</b>	<b>: 2,000 kg</b>
<b>Total lift height (mm)</b>	<b>: 200</b>
<b>Lowered fork height (mm)</b>	<b>: 85</b>
<b>Fork Length L (mm)</b>	<b>: 1150</b>
<b>Width over the forks W (mm)</b>	<b>: 540/570/670/705</b>
<b>Steering wheel (mm)</b>	<b>: 180</b>
<b>Fork wheel (mm)</b>	<b>: 74</b>
<b>Truck Weight (kg)</b>	<b>: 100 ~ 110 kg</b>



### PATEL HYDRAULIC LIFTERS

No.III/40, Lurdu Nagar, BRG Madepalli Post  
 Near Govt. College of Engineering, Bargur-635 104  
 Krishnagiri District, Tamil Nadu, India  
 Telefax: +91-4343-265101 Cell: 098423-12150, 093452-82522  
 E-mail: info@phlbargur.com